

445, 450 445e, 450e

Spare parts

Ersatzteile

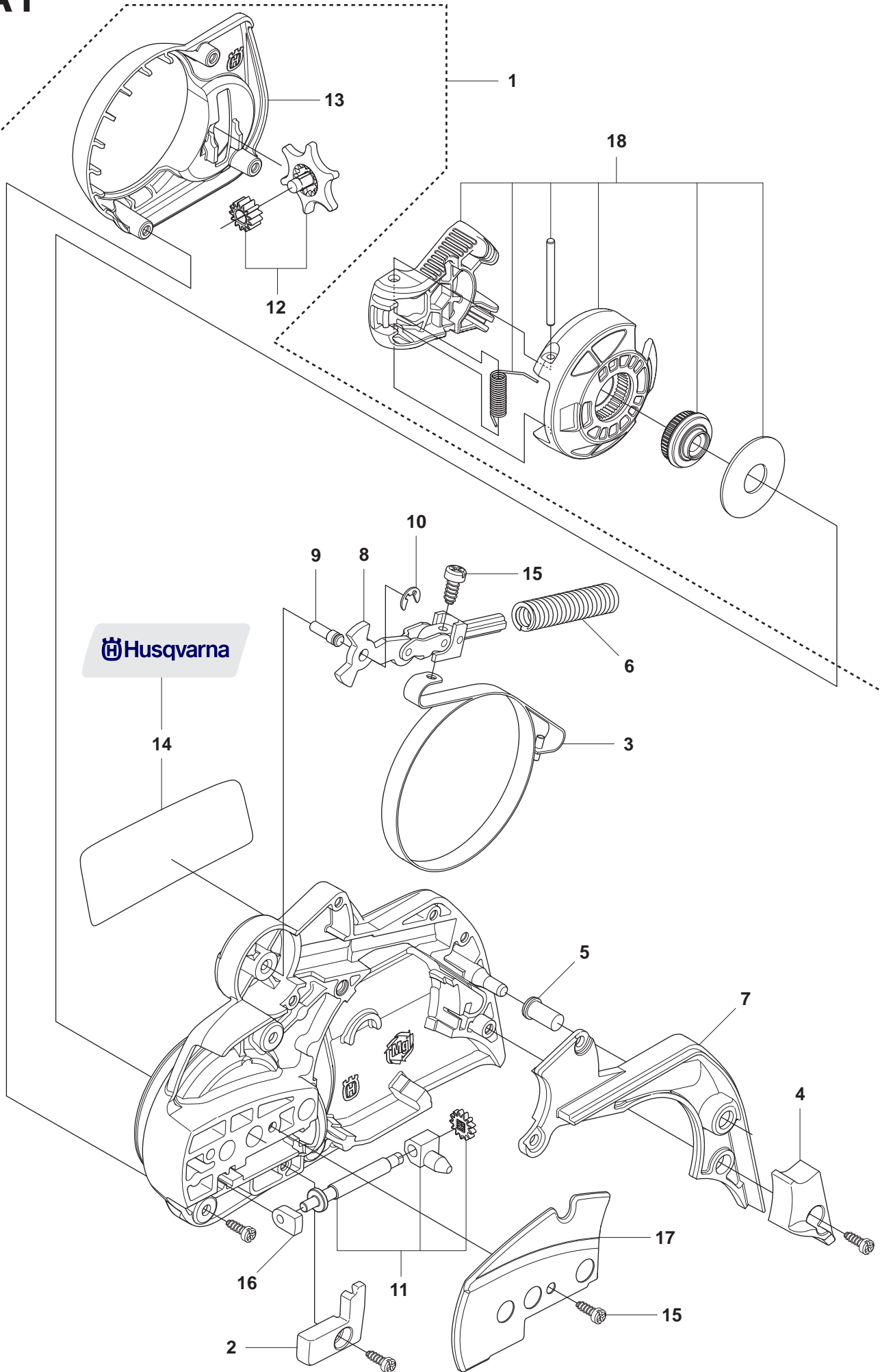
Pièces détachées

Reserve onderdelen

Repuestos

Reservdelar

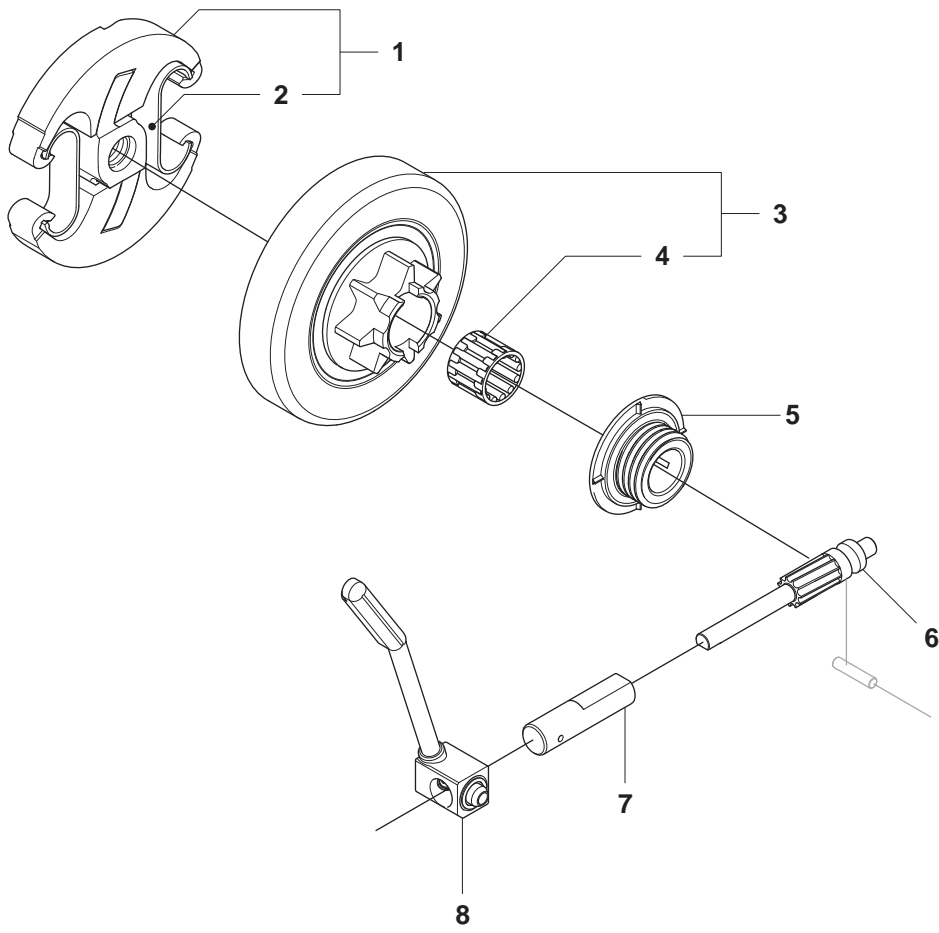
A1 445e, 450e



Pos.	Compl No.	Part No.	Quantity	Notes
1		544 21 72-01	1	
2	544 21 72-01	537 34 76-01	1	
3	544 21 72-01	537 04 30-01	1	
4	544 21 72-01	544 08 30-01	1	
5	544 21 72-01	503 85 52-01	1	
6	544 21 72-01	503 46 59-01	1	
7	544 21 72-01	544 08 29-01	1	
8	544 21 72-01	503 89 08-02	1	
9	544 21 72-01	503 89 29-01	1	
10	544 21 72-01	735 31 08-20	1	
11	544 21 72-01	537 39 29-01	1	
12	544 21 72-01	537 34 72-01	1	
13	544 21 72-01	537 39 26-01	1	
14	544 21 72-01	544 35 75-01	1	
15	544 21 72-01	503 21 70-10	10	
16	544 21 72-01	544 84 55-01	1	
17	544 21 72-01	544 25 05-01	1	
18		537 34 78-01	1	

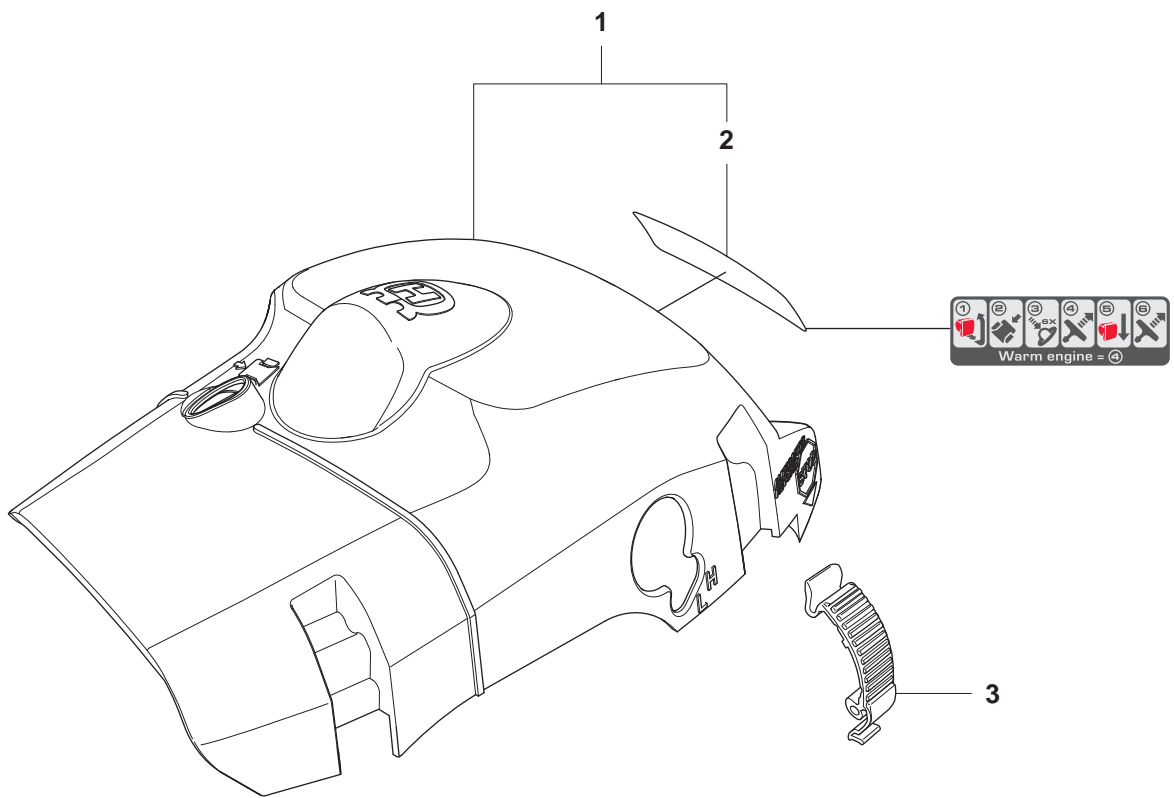
B

445, 450, 445e, 450e



Page B

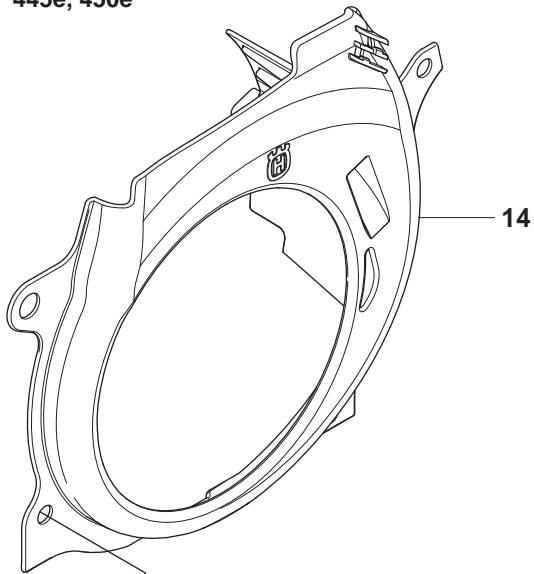
Pos.	Compl No.	Part No.	Quantity	Notes
1		537 11 05-03	1	
2	537 11 05-03	537 35 91-01	2	
3		503 87 30-72	1	
4	503 87 30-72	503 25 52-01	1	
5		503 93 18-01	1	
6		503 93 21-01	1	
7		537 15 48-01	1	
8		544 08 42-01	1	



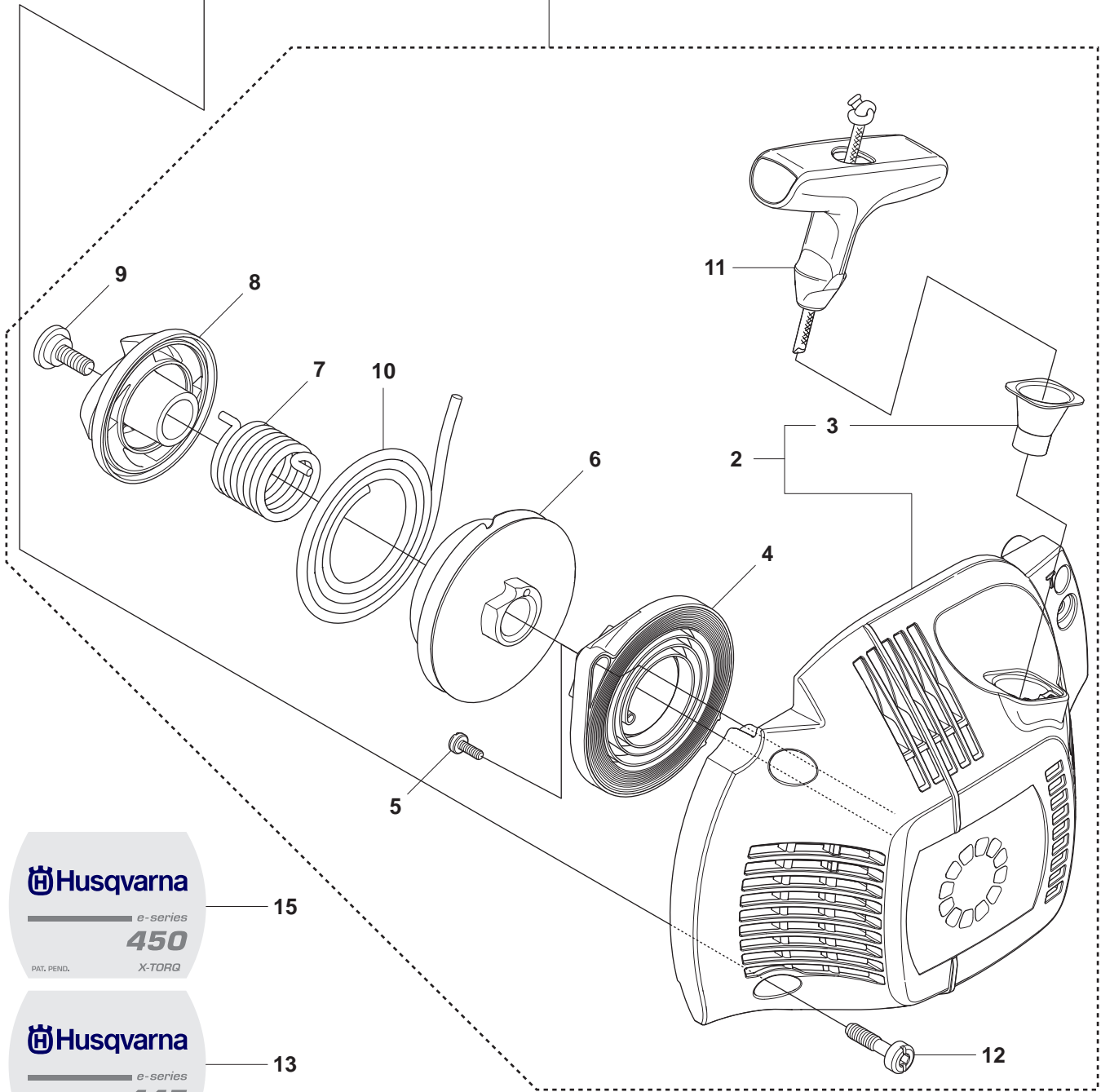
Page C

Pos.	Compl No.	Part No.	Quantity	Notes
1		544 34 83-02	1	
2	544 34 83-02	544 07 95-01	1	
3	544 34 83-02	505 10 84-01	1	
4		503 89 47-01	3	

D2 445e, 450e



1



Husqvarna

e-series
450

PAT. PEND.

X-TORQ

15

Husqvarna

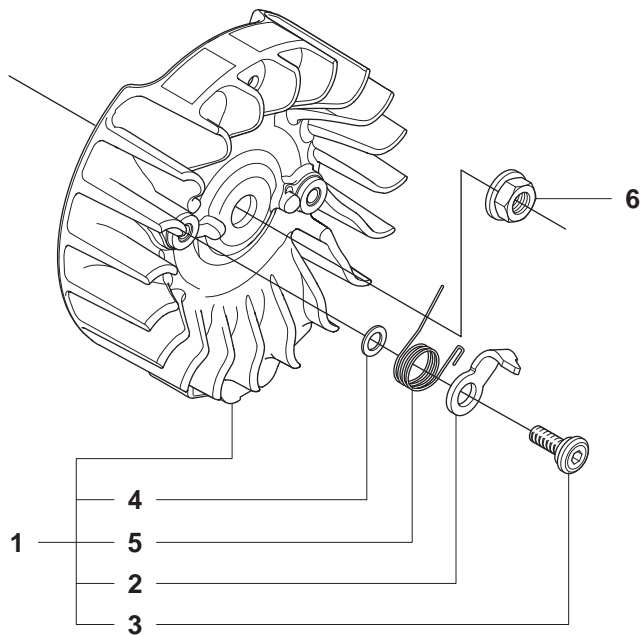
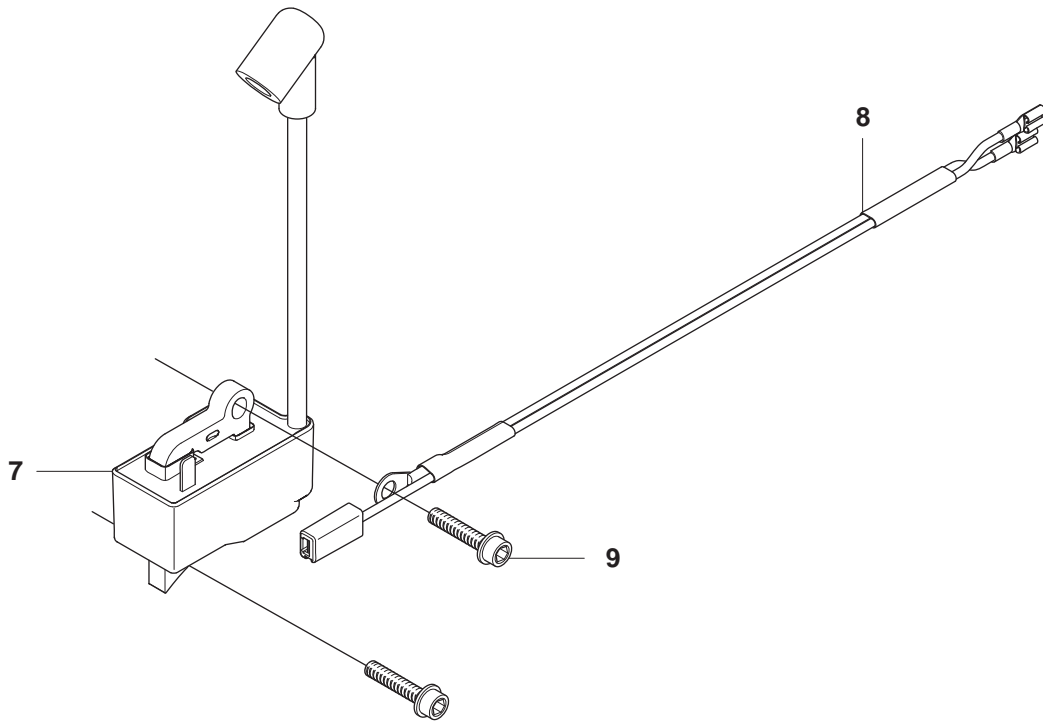
e-series
445

PAT. PEND.

X-TORQ

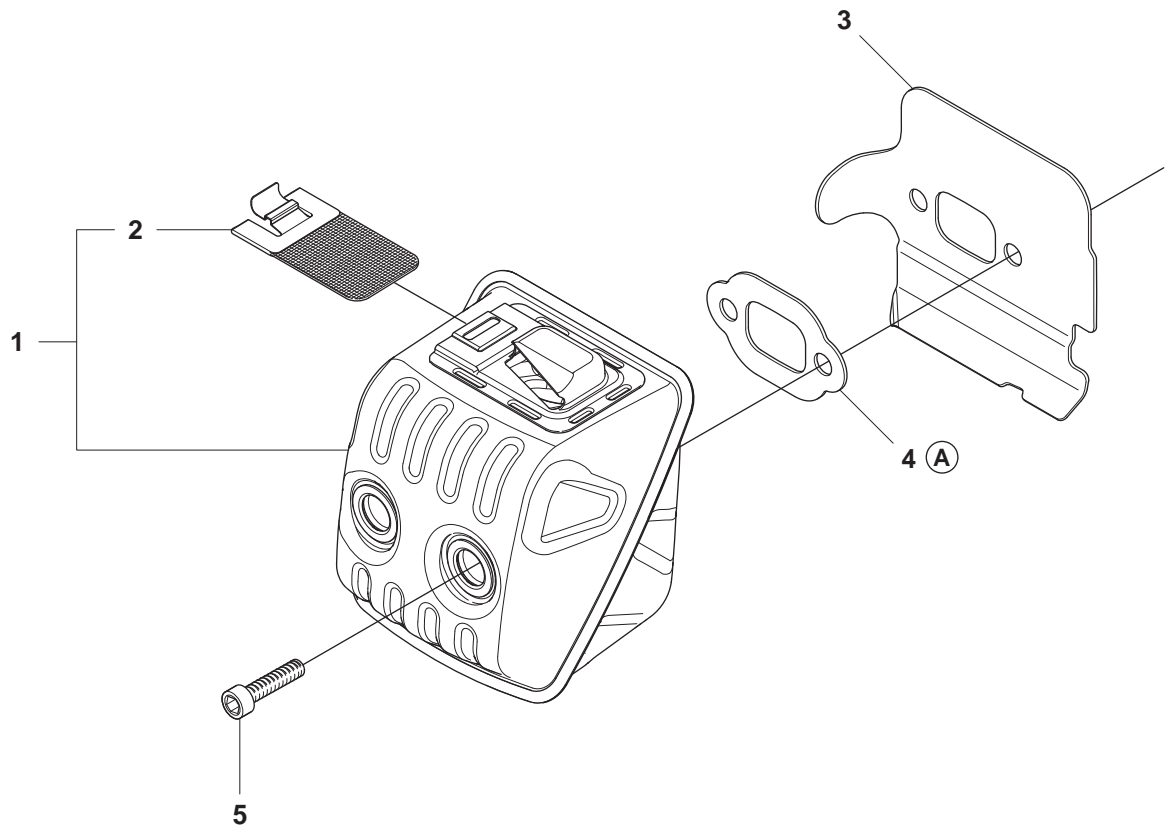
13

Pos.	Compl No.	Part No.	Quantity	Notes
1		544 15 85-02	1	
2	544 15 85-02	544 15 84-01	1	
3	544 15 85-02	537 28 32-01	1	
4	544 15 85-02	537 24 17-01	1	
5	544 15 85-02	503 21 28-10	2	
6	544 15 85-02	537 42 32-01	1	
7	544 15 85-02	537 42 34-01	1	
8	544 15 85-02	537 42 33-01	1	
9	544 15 85-02	537 42 66-01	1	
10	544 15 85-02	505 30 51-25	1	
11	544 15 85-02	537 23 25-01	1	
12	544 15 85-02	503 21 73-21	4	
13		544 37 71-01	1	
14		544 08 15-01	1	
15		544 37 71-02	1	



Pos.	Compl No.	Part No.	Quantity	Notes
1		544 11 18-01	1	
2	544 11 18-01	537 24 56-01	2	
3	544 11 18-01	501 81 99-03	2	
4	544 11 18-01	503 23 00-42	2	
5	544 11 18-01	503 78 32-01	2	
6		503 22 04-01	1	
7		544 24 38-01	1	
8		544 08 28-01	1	
9		503 20 02-20	2	

F 445, 450, 445e, 450e

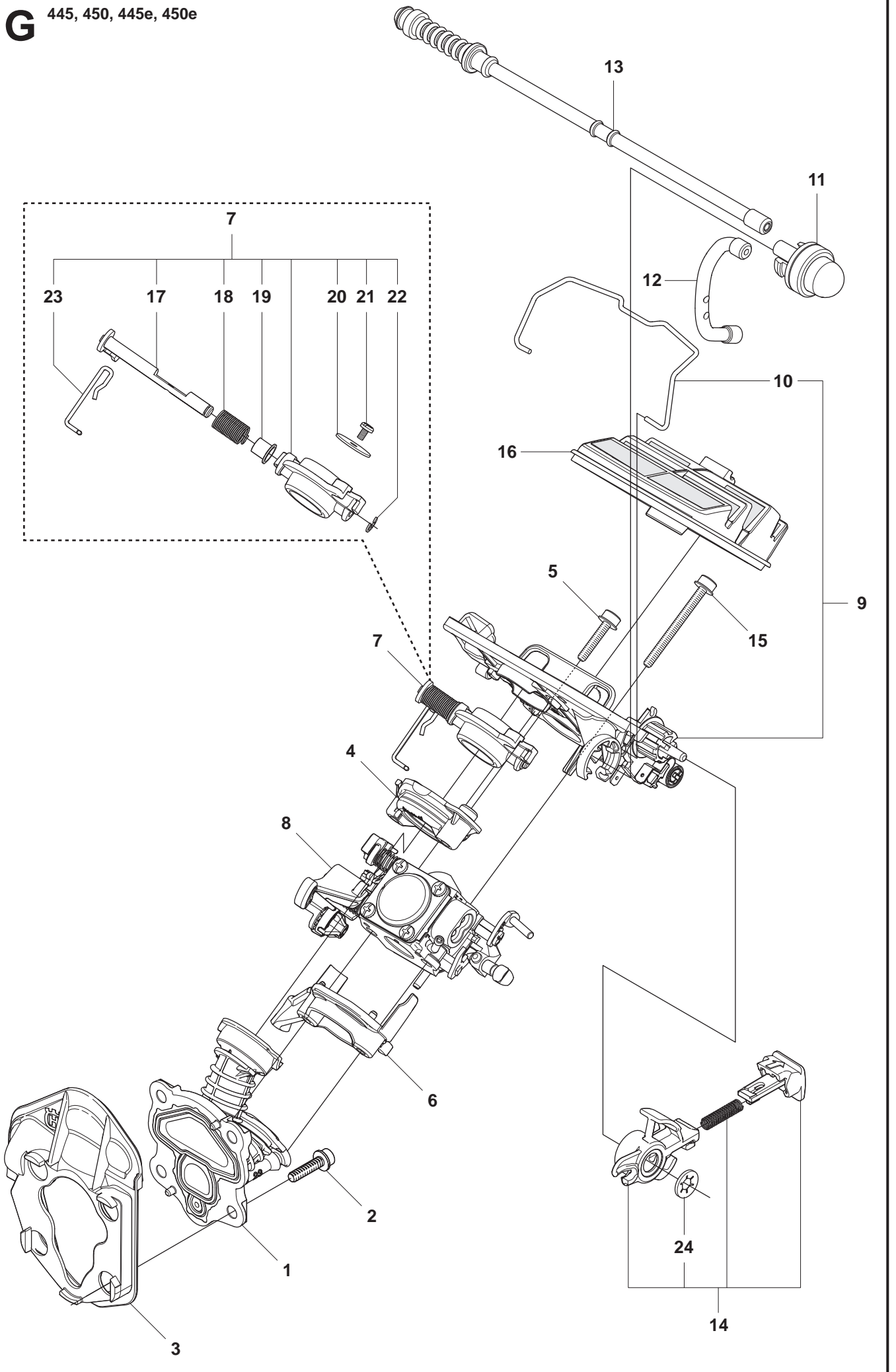


Page F

Pos.	Compl No.	Part No.	Quantity	Notes
1		544 14 77-01	1	
2	544 14 77-01	544 14 84-01	1	
3		544 08 31-01	1	
4		544 08 44-01	1	
5		725 53 68-55	2	

G

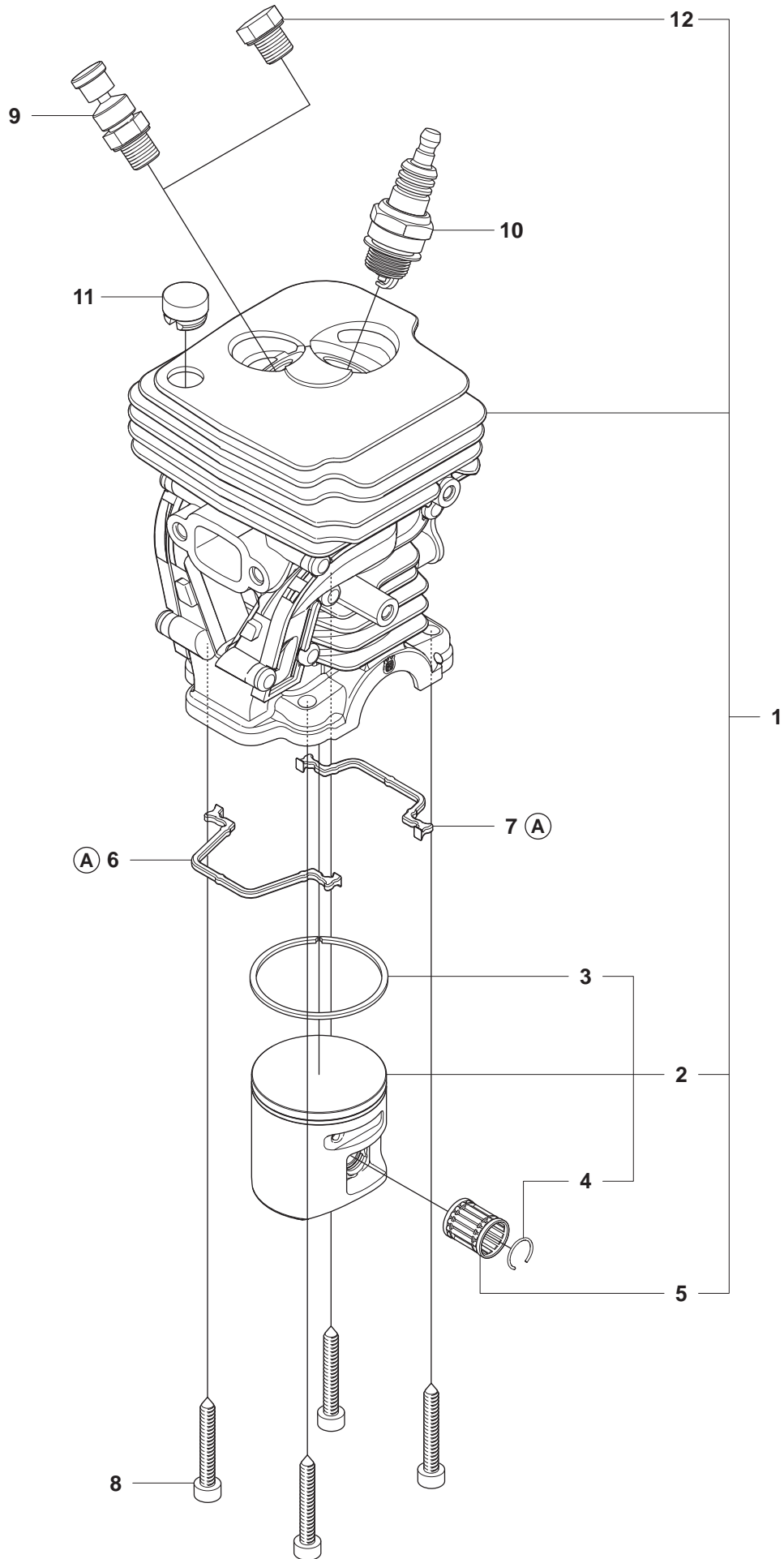
445, 450, 445e, 450e



Page G

Pos.	Compl No.	Part No.	Quantity	Notes
1		544 08 23-01	1	
2		503 20 02-16	4	
3		544 08 38-01	1	
4		544 08 40-01	1	
5		503 21 07-25	2	
6		544 08 41-01	1	
7		544 14 82-01	1	
8		506 45 04-01	1	
9		504 00 34-01	1	
10	504 00 34-01	544 23 14-01	1	
11		503 93 66-01	1	air purge
12		544 40 19-01	1	suction hose
13		544 12 97-01	1	return hose
14		544 35 99-02	1	
15		503 21 07-50	2	
16		544 08 08-01	1	μ 80
16		544 08 08-02	1	μ 44
16		544 08 08-03	1	Felt
17	544 14 82-01	502 08 10-01	1	
18	544 14 82-01	502 08 11-01	1	
19	544 14 82-01	502 08 08-01	1	
20	544 14 82-01	502 08 12-01	1	
21	544 14 82-01	503 48 18-01	1	
22	544 14 82-01	537 38 52-01	1	
23	544 14 82-01	502 08 09-01	1	
24	544 35 99-02	735 58 30-00	1	

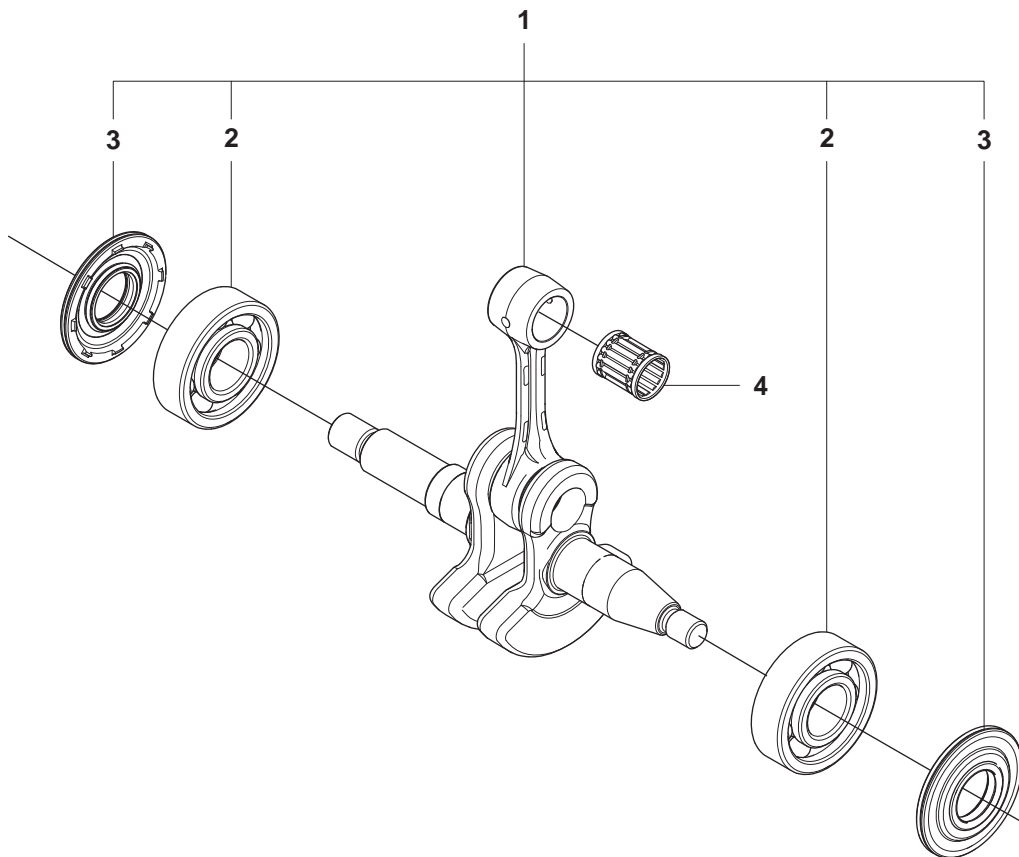
H2 450, 450e



Pos.	Compl No.	Part No.	Quantity	Notes
1		544 11 98-02	1	
2	544 11 98-02	544 08 89-03	1	
3	544 08 89-03	544 08 87-01	1	
4	544 11 98-02	544 21 13-01	1	
5	544 11 98-02	501 45 16-01	1	
6		544 10 87-01	1	
7		544 10 92-01	1	
8		503 20 05-27	4	
9		544 87 07-01	1	
10		503 23 51-11	1	
11		540 05 73-01	1	
12		503 55 22-01	1	

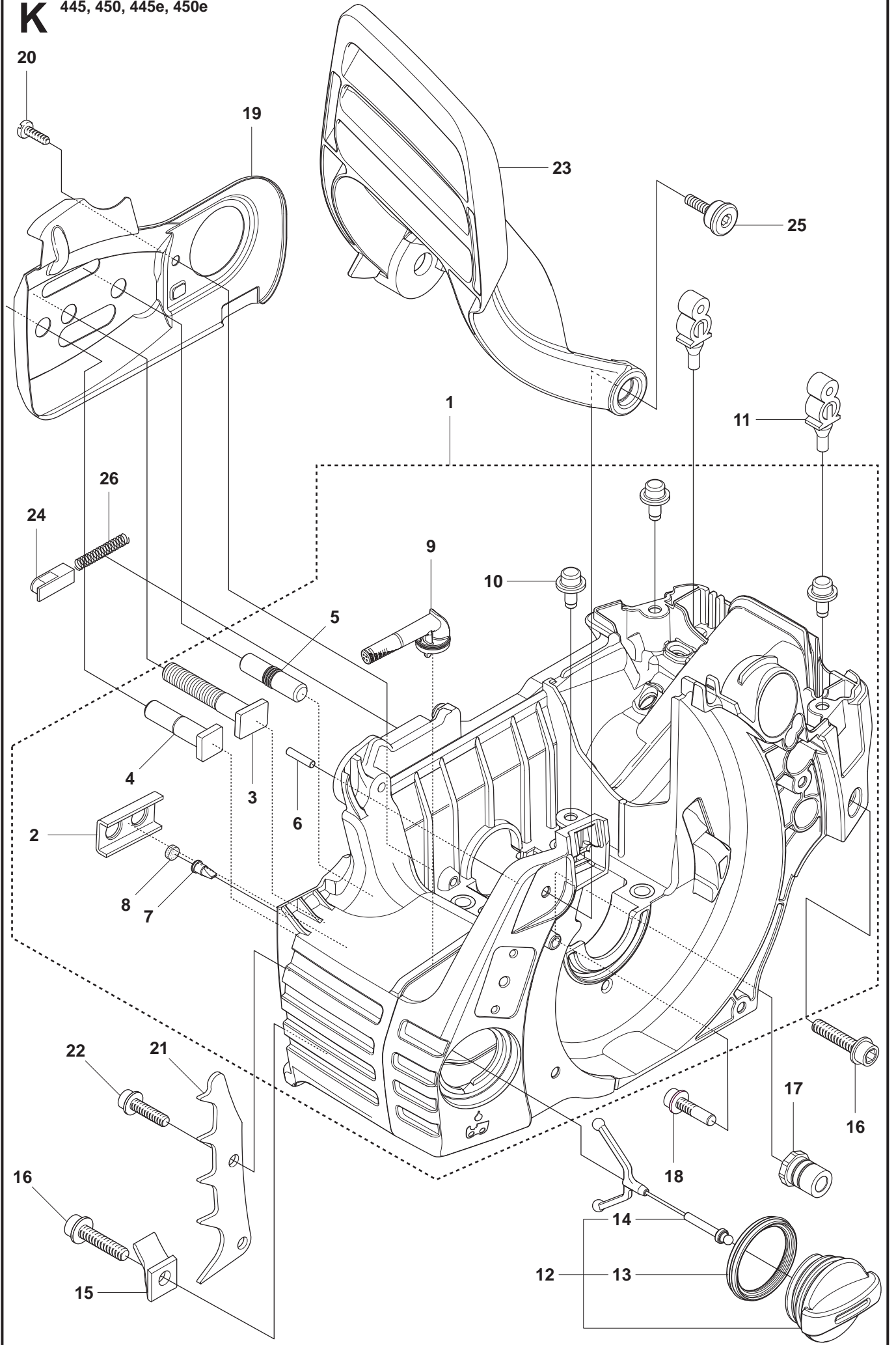
J

445, 450, 445e, 450e



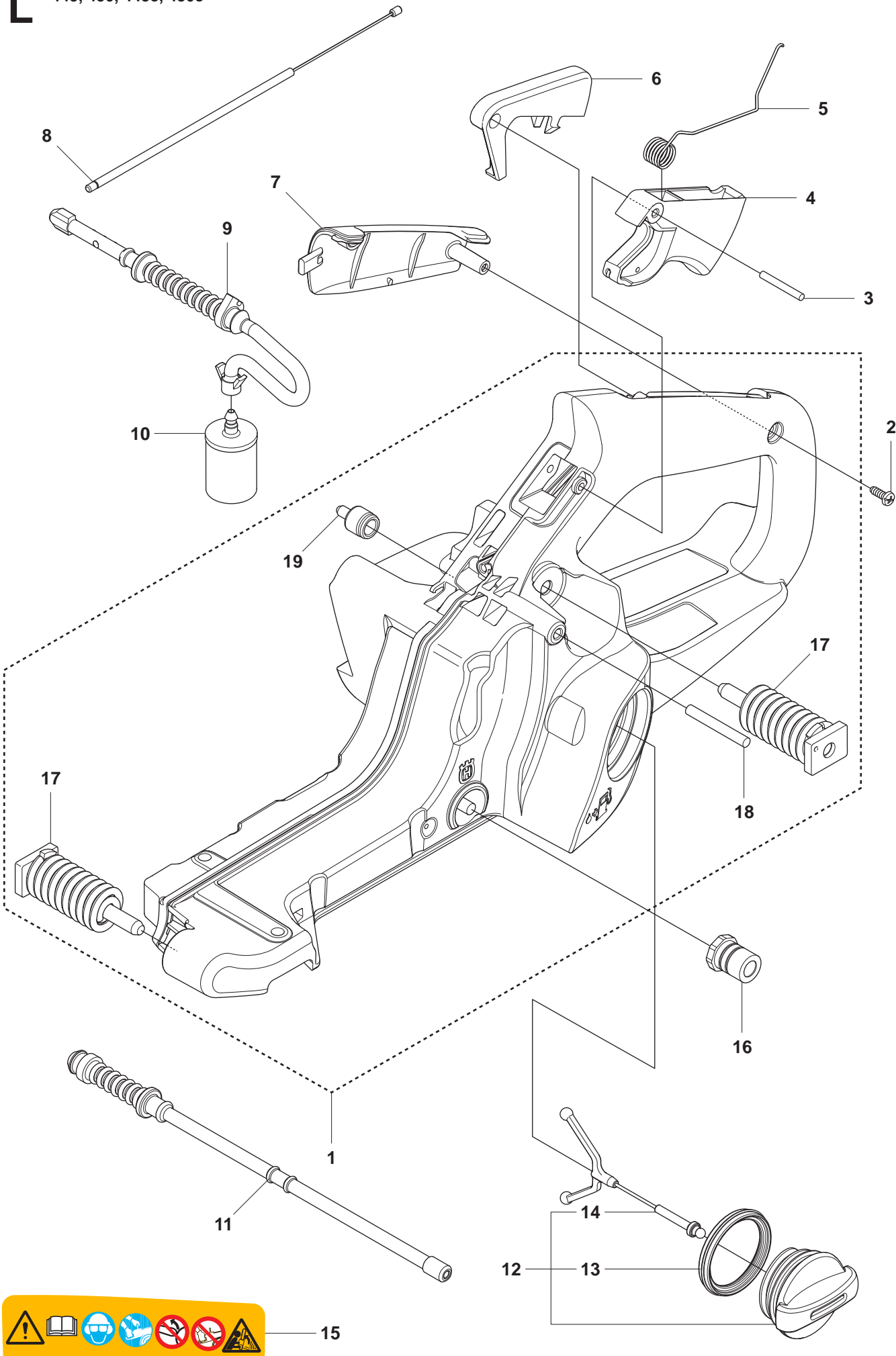
Pos.	Compl No.	Part No.	Quantity	Notes
1		544 06 19-01	1	
2	544 06 19-01	544 06 20-01	2	
3	544 06 19-01	544 01 38-01	2	
4		501 45 16-01	1	

K 445, 450, 445e, 450e



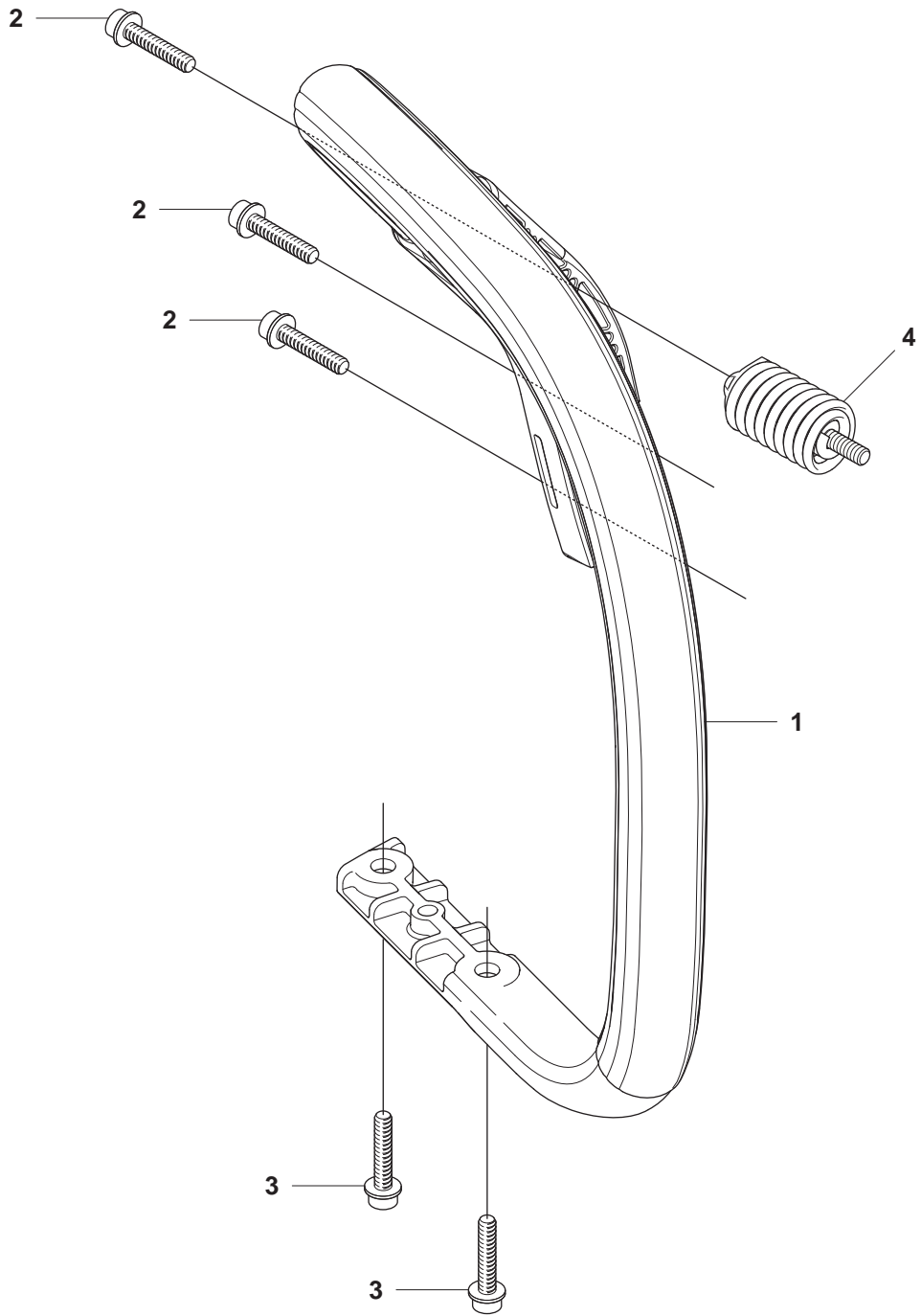
Page K

Pos.	Compl No.	Part No.	Quantity	Notes
1		537 43 82-01	1	
2	537 43 82-01	503 87 58-02	1	
3	537 43 82-01	503 87 54-02	1	
4	537 43 82-01	537 33 46-01	1	
5	537 43 82-01	544 03 64-01	1	
6	537 43 82-01	503 24 09-05	1	
7	537 43 82-01	530 02 61-19	1	
8	537 43 82-01	537 40 35-01	1	
9	537 43 82-01	544 08 33-01	1	
10	537 43 82-01	544 33 16-01	3	
11		503 86 93-01	2	
12		544 11 12-01	1	
13	544 11 12-01	537 21 50-01	1	
14	544 11 12-01	503 57 89-01	1	
15		503 88 63-01	1	
16		544 31 62-01	2	
17		501 00 76-01	2	
18		503 21 51-03	1	
19		544 09 40-01	1	
20		503 21 70-10	1	
21		503 90 59-01	1	
22		503 21 75-20	2	
23		544 08 26-01	1	
24		503 89 24-01	1	
25		503 89 30-02	2	
26		503 43 65-01	1	



15

Pos.	Compl No.	Part No.	Quantity	Notes
1		537 43 79-01	1	
2		503 21 28-10	1	
3		720 18 25-20	1	
4		544 09 97-01	1	
5		544 09 99-01	1	
6		544 09 98-01	1	
7		544 10 00-01	1	
8		504 09 88-01	1	
9		544 12 86-01	1	
10		503 44 32-01	1	
11		544 12 97-01	1	
12		544 11 12-01	1	
13	544 11 12-01	537 21 50-01	1	
14	544 11 12-01	503 57 89-01	1	
15		544 37 50-01	1	
16		501 00 76-01	1	
17	537 43 79-01	544 10 12-01	2	
18	537 43 79-01	721 12 63-39	1	
19	537 43 79-01	537 35 95-01	1	



Page M

Pos.	Compl No.	Part No.	Quantity	Notes
1		544 08 39-01	1	handtag
2		544 31 62-01	3	SKRUV IHSCFT,PW6.3X2
3		503 21 02-70	2	SKRUV IHSCFT,PW6.3X1
4		503 89 83-01	1	VIB.ISOLATOR,CYL
5				
6				
7				
8				
9				
10				
11				
12				
13				
14				
15				
16				
17				
18				
19				
20				
21				
22				
23				
24				
25				
26				
27				
28				
29				
30				
31				
32				
33				
34				
35				
36				
37				
38				

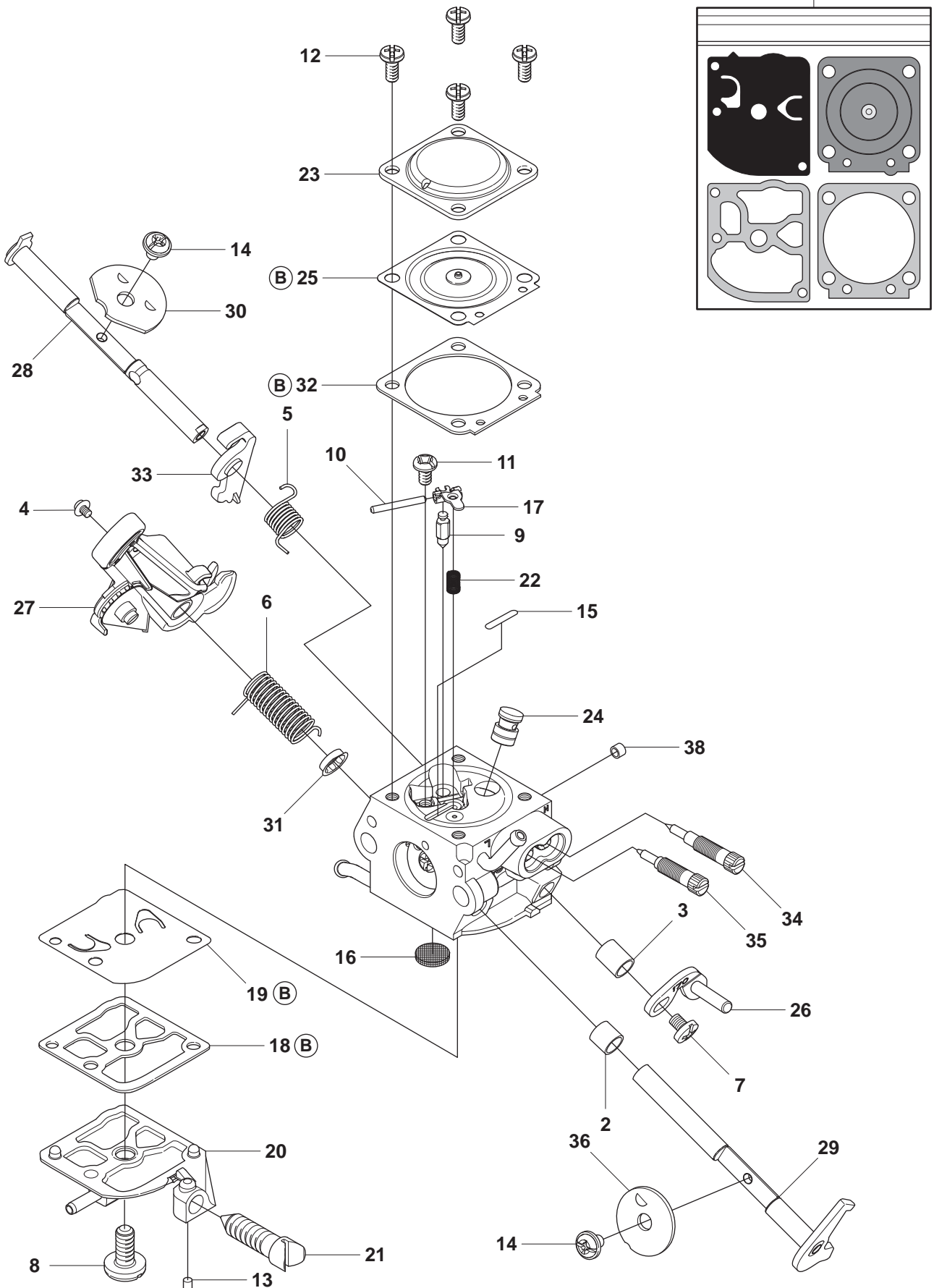
N

445, 450, 445e, 450e

1

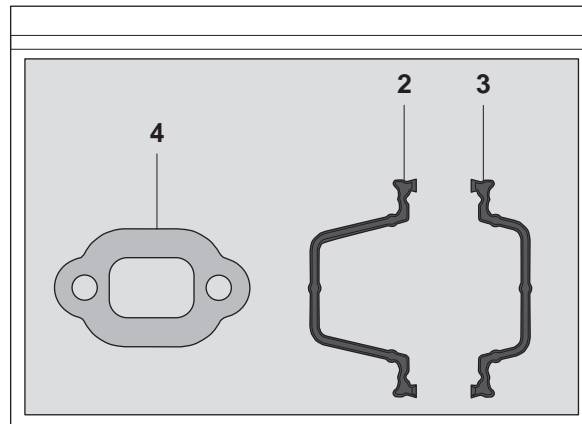
ZAMA C1M-EL37B

37 (B) GND-81



Pos.	Compl No.	Part No.	Quantity	Notes
1		506 45 04-01	1	
2	506 45 04-01	502 07 82-01	1	
3	506 45 04-01	502 07 83-01	1	
4	506 45 04-01	502 07 84-01	1	
5	506 45 04-01	502 07 86-01	1	
6	506 45 04-01	502 07 87-01	1	
7	506 45 04-01	503 47 90-01	1	
8	506 45 04-01	503 47 96-01	1	
9	506 45 04-01	503 47 97-01	1	
10	506 45 04-01	503 48 00-01	1	
11	506 45 04-01	503 48 01-01	1	
12	506 45 04-01	503 48 05-01	4	
13	506 45 04-01	503 48 11-01	1	
14	506 45 04-01	503 48 18-01	2	
15	506 45 04-01	503 53 56-01	2	
16	506 45 04-01	503 53 57-01	1	
17	506 45 04-01	503 66 59-01	1	
18	506 45 04-01	537 02 01-01	1	
19	506 45 04-01	537 38 31-01	1	
20	506 45 04-01	502 07 89-01	1	
21	506 45 04-01	537 38 33-01	1	
22	506 45 04-01	537 38 34-01	1	
23	506 45 04-01	537 38 37-01	1	
24	506 45 04-01	544 23 77-01	1	
25	506 45 04-01	502 07 90-01	1	
26	506 45 04-01	502 07 91-01	1	
27	506 45 04-01	505 10 17-01	1	
28	506 45 04-01	502 07 94-01	1	
29	506 45 04-01	502 07 95-01	1	
30	506 45 04-01	502 24 77-01	1	
31	506 45 04-01	502 07 98-01	1	
32	506 45 04-01	537 38 36-01	1	
33	506 45 04-01	502 08 17-01	1	
34	506 45 04-01	502 07 99-01	1	
35	506 45 04-01	502 08 00-01	1	
36	506 45 04-01	502 08 01-01	1	
37	506 45 04-01	502 08 02-01	1	
38	506 45 04-01	544 11 95-01	1	

P Levereras endast som reservdel
Delivery as spare part only
Nur als Ersatzteil lieferbar
Livrabable seulement comme pièce de rechange
Solo como repuesto
Zasilà se jenom jako náhradni díl

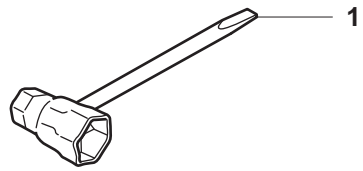


1 (A)
Packningssats
Set of gaskets
Dichtungssatz
Jeu de joints
Juego de juntas

Page P

Pos.	Compl No.	Part No.	Quantity	Notes
1		544 97 20-01	1	
2	544 97 20-01	544 10 87-01	1	
3	544 97 20-01	544 10 92-01	1	
4	544 97 20-01	544 08 44-01	1	

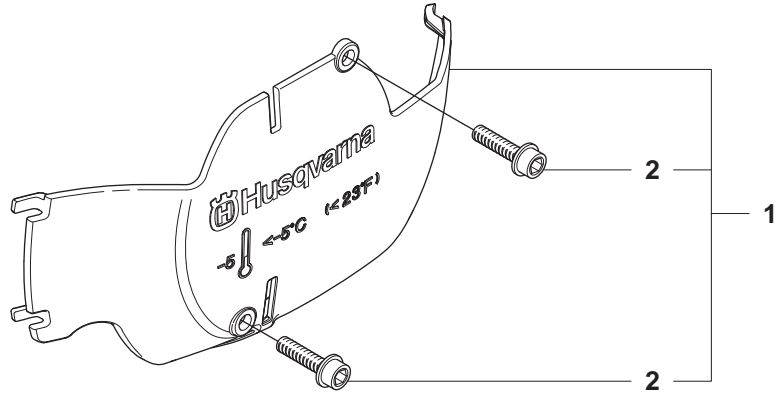
Q Tillbehör
Accessories
Zubehöre
Accessoires
Accesorios



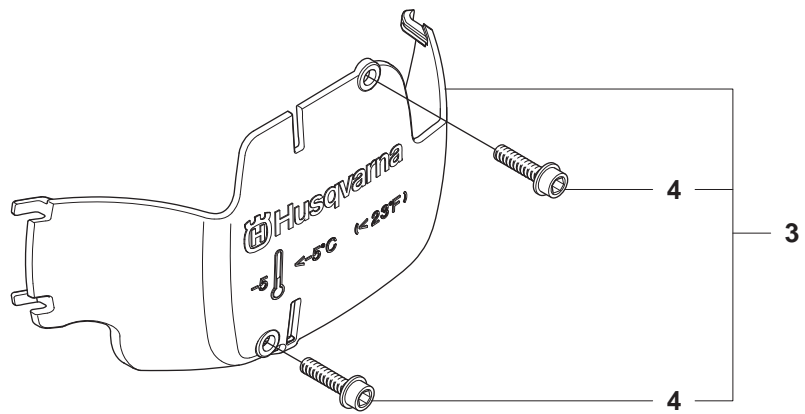
Page Q

Pos.	Compl No.	Part No.	Quantity	Notes
1		5035585-04	1	

R 445
WINTER KIT



R 445e, 450e
WINTER KIT

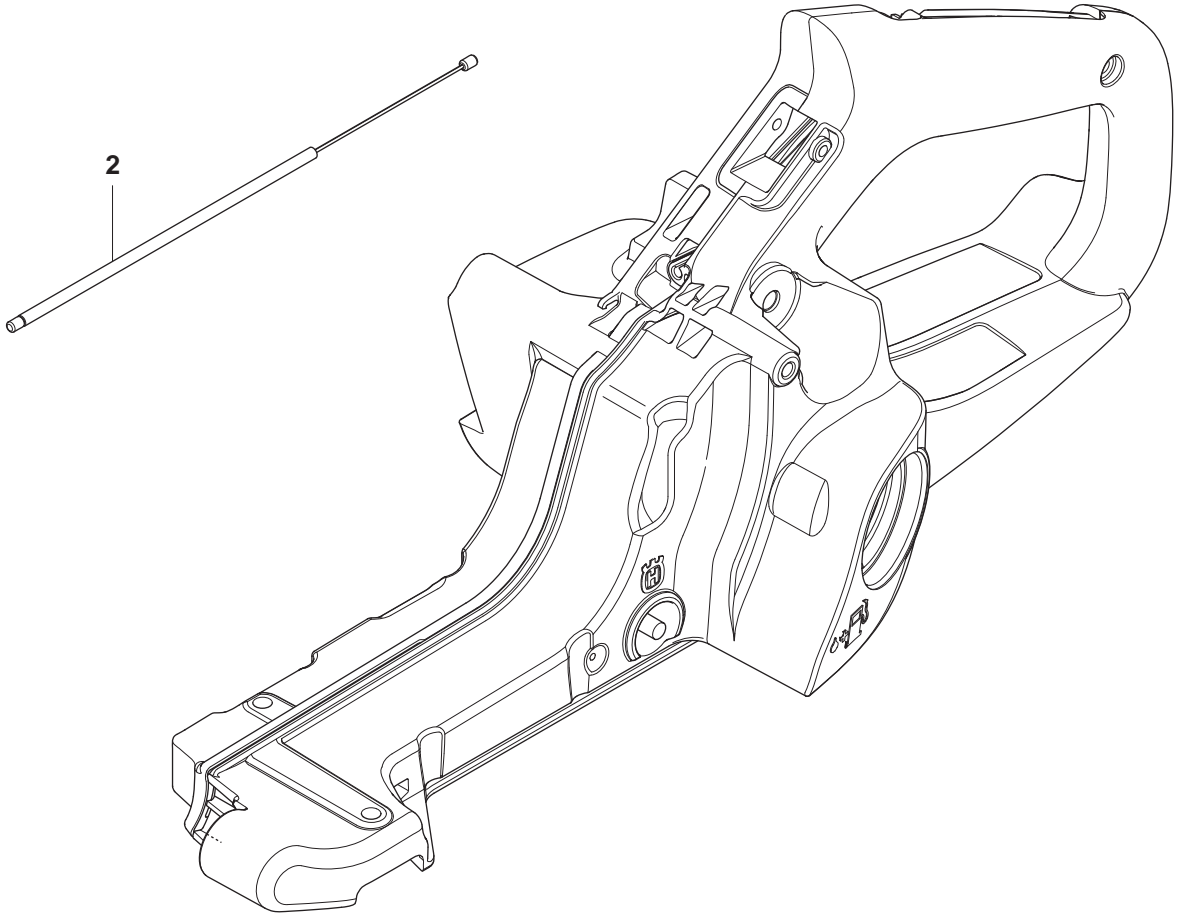


Page R

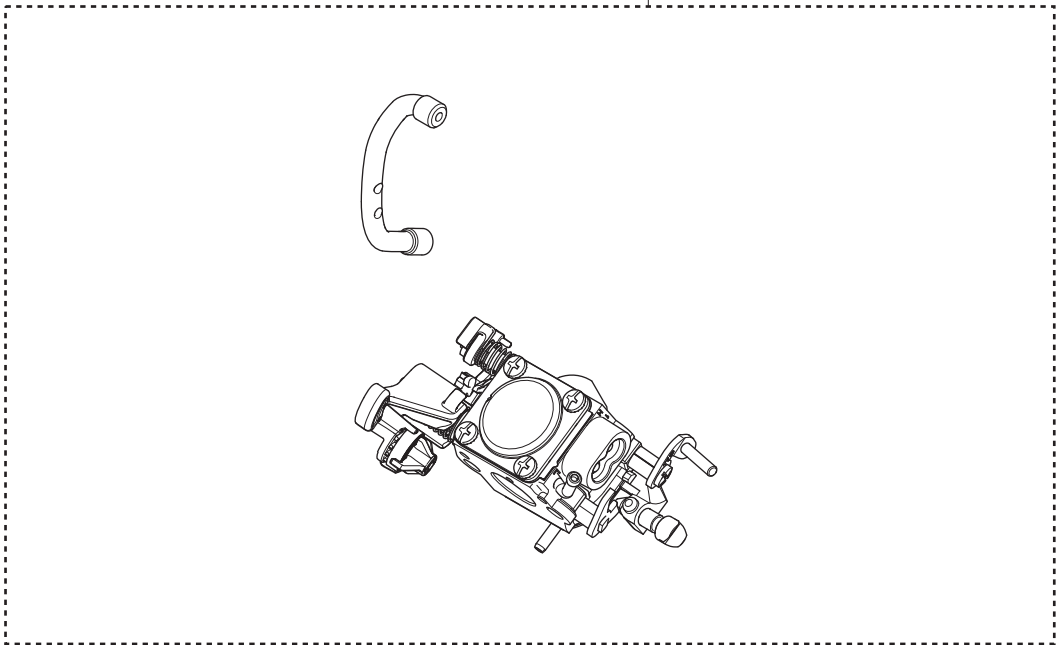
Pos.	Compl No.	Part No.	Quantity	Notes
1		544 46 45-01	1	Winter kit
2	544 46 45-01	503 21 70-01	2	
3		544 46 45-02	1	Winter kit e-series
4	544 46 45-02	503 21 70-16	2	

1

2



3



Page S

Pos.	Compl No.	Part No.	Quantity	Notes
1		504 59 10-01	1	Up to 08220001
2	504 59 10-01	544 12 03-01	1	Up to 08220001
3		505 45 36-01	1	Up to 08220001